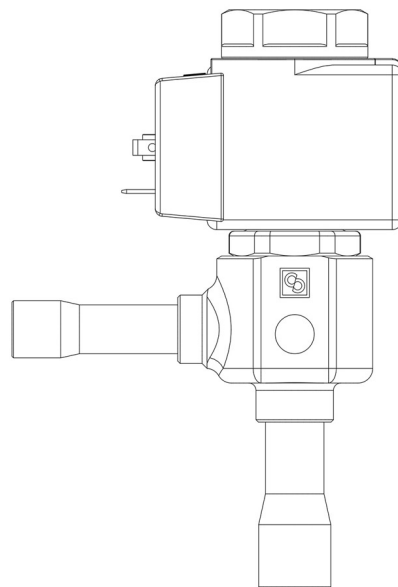


Product Code

2028EX/M10A603



POLYHEDRA

Product use

Solenoid expansion valves with the 'EX' suffix are compliant with the ESR of Directive 2014/34/EU 'ATEX'. This equipment is suitable for use on refrigeration systems located in areas classified as 'Zone 2' risk of explosion, according to the definition in Annex I of Directive 1999/92/EC.

Accessories for use with the following ASHRAE 34:2019 refrigerants, Class A1, A2L, or A3:

- HFC (R134a, R32, R404A, R407C, R410A, R507)
- HFO and HFO/HFC blends (R1234ze, R1234yf, R448A, R449A, R450A, R452A, R452B, R454B, R513A)
- HC (R290, R600, R600a, R1270)

Maximum allowable pressure PS = 50 bar.

Allowable temperatures TS = -40 / +100 °C

These valves are only sold in the model with the ATEX certified coil (A6 suffix), with 9 nozzles assembled for an increasing output from 2 to 36 kW with R290.

Product details

Orifice type	03
Connections In Ø [in.]	-
Connections In Ø [mm]	10
Out Ø [in.]	-
Out Ø [mm]	12
Kv [m ³ /h]	0,023
PS [bar]	50
TS [°C] Min	-40

TS [°C] Max	+100
-------------	------

Package pcs.	21
--------------	----

Notes

for rated capacities see table of the orifice assemblies