

HANDBOOK
VALVES

Ed. 2017

 **Castel**[®]
Italian technology

CHAPTER 10 ■ AUXILIARY CONTACTS



APPLICATIONS

Auxiliary contacts in series 9750 are accessories to be used with actuator in series 9700 and 9720. They are double switching contacts and can be set to any position between 0° and 90°.

CONSTRUCTION

Casing in two parts of self-extinguishing synthetic material, lower part black, upper part yellow.

Note: If the casing is opened and tampered with, any and all the guarantees by Castel will be null and void.

Functional limits of the contacts: admissible load 5A, voltage 250 VAC.

Contact 9750/X01 has an IP54 protection rating according

to EN 60529, and a Type 1C classification for automatic operation according to EN 60730-1.

Contact 9750/X02 has an IP40 protection rating according to EN 60529, and a Type 1C classification for automatic operation according to EN 60730-1.

In the event of outdoor installation, it is recommended that the contacts be protected from the weather.

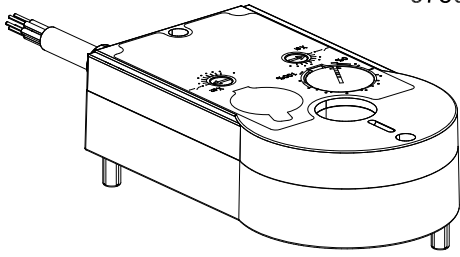
OPERATION

To install the contacts on the actuators and cable them, follow the instructions provided in the package carefully. The settings for the switching positions must be performed using the two trimmers present on the yellow cover (see the instructions).

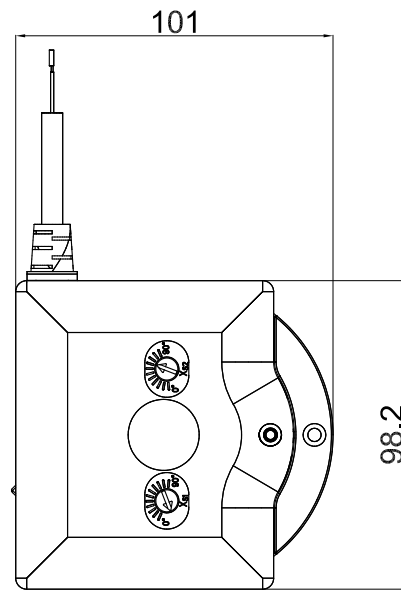
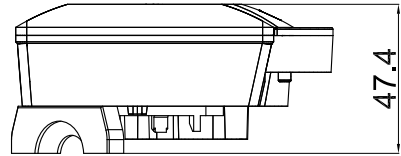
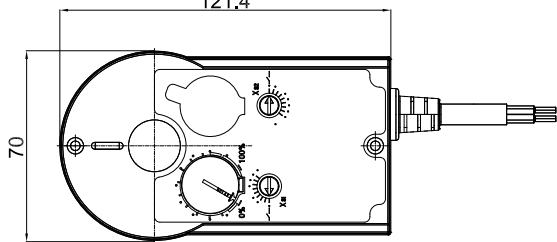
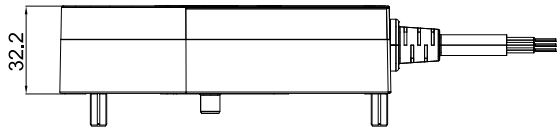
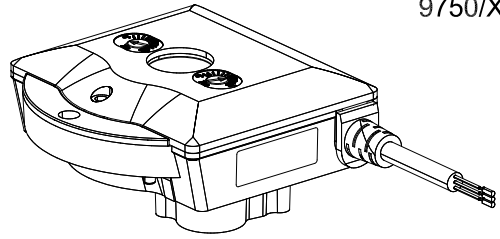
TABLE 45: General characteristics of auxiliary switches

Catalogue Number	Designed for actuator	Contact type	Admissible load	Voltage Range	Cable	Protection Degree	TA [°C]	
							min.	max.
9750/X01	9700/RA2	Double	5(2) A	24 ÷ 230 V	6 x 0,5 mm ² 1 m	IP 54	-20	+50
9750/X02	9700/RA6 9720/RA2 9720/RA6					IP 40		

9750/X01



9750/X02



www.castel.it



ed. 002-VR-ENG

Castel can accept no responsibility for any errors or changes in the catalogues, handbooks, brochures and other printed material. Castel reserves the right to make changes and improvements to its products without notice. All trademarks mentioned are the property of their respective owners.

The name and Castel logotype are registered trademarks of Castel Srl.
All rights reserved.

Castel Srl - Via Provinciale 2-4 - 20060 Pessano con Bornago - MI