

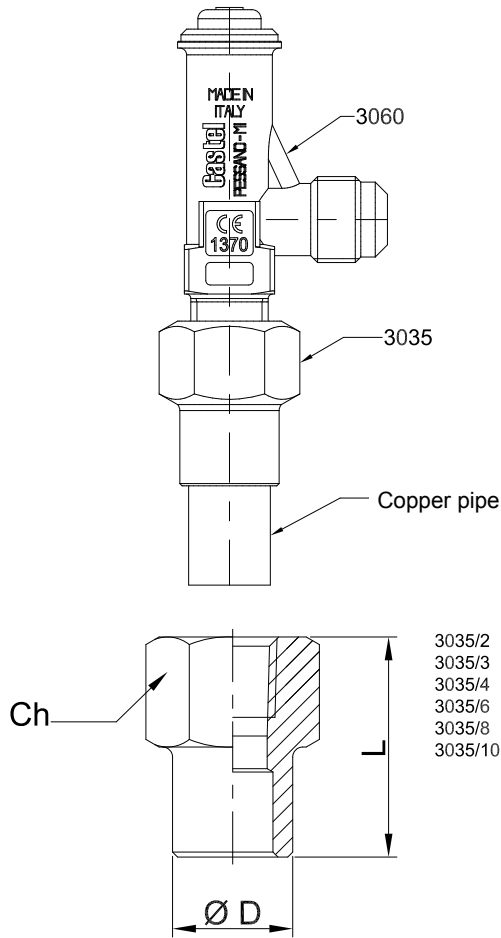


HANDBOOK
SAFETY DEVICES

Ed. 2017

 **Castel**[®]
Italian technology

CHAPTER 7 ■ FITTINGS IN SERIES 3035



The fittings in series 3035 allow for the installation of:

- safety valves in series 3030, 3060, 3061 and 3065
- bursting disc devices in series 3070
- shut-off valves in series 3064, 3064N and 3064E
- changeover valves in series 3032, 3032N and 3032E

near pressure equipment to be protected in the system. These fittings are designed to be installed in two ways:

- Construct a copper pipe by-pass that connects the pressure equipment to the fitting. Insert the end of the by-pass in the solder connection of the fitting and then perform capillary brazing.
- Drill the inner/outer pipe near the pressure equipment (if possible, it is best to build a collar on the pipe). Put the end of the fitting into this hole and proceed to braze weld.

The fittings in series 3035 are produced by machining brass bars EN 12164-CW614N.

TABLE 22: General characteristics, dimensions and weights of unions 3035

Catalogue Number	Connections		PS [bar]	Dimensions [mm]			Weight [g]
	NPT	ODS Ø [mm]		D	L	Ch	
3035/2	1/4"	12	120	18	33	21	58
3035/3	3/8"	18		22	36,5	26	90,5
3035/4	1/2"	22		28	44	32	165
3035/6	3/4"	28		35	51	40	255
3035/8	1"	35		42	72	45	364
3035/10	1.1/4"	42		54	67	55	613

www.castel.it



ed. 001-DS-ENG

Castel can accept no responsibility for any errors or changes in the catalogues, handbooks, brochures and other printed material. Castel reserves the right to make changes and improvements to its products without notice. All trademarks mentioned are the property of their respective owners.

The name and Castel logotype are registered trademarks of Castel Srl.
All rights reserved.

Castel Srl - Via Provinciale 2-4 - 20060 Pessano con Bornago - MI